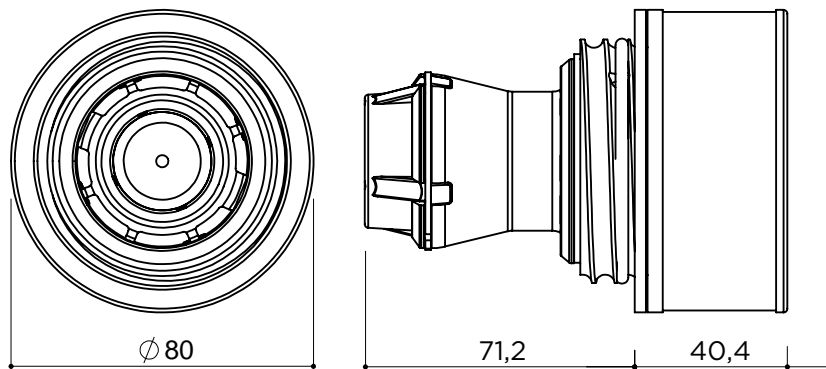


KOCKON CL2 80 XL

Anti-siphon device featuring extra short, swing action barrel for extra low profile applications, quick mounting system. Compatible with original cap for internally threaded 80mm tank necks.

For tanks with inner threaded opening $\varnothing 80$ mm. -SCANIA: all models -IVECO: Eurocargo having metal tank neck -JOHN DEERE: 5000-6000 -MASSEY FERGUSON: 4292 hd



CODE	DESCRIPTION
581736001	KOCKON CL2 80 XL

TECHNICAL DATA

SPECIFICATIONS

Main body material	Aluminium and Steel
Gasket material	HNBR, suitable for immersion in the fuel
Finishing	Black Anodized/Cataphoresis, painted
Weight	570
Fuel Flow Rate (lt/min)	120

PACKAGING

Assembly	The product is supplied ready to use
Package type	Carton box
Package dimensions (cm)	12,8x12x12
Package contents	Anti theft device, lid, adapter, multilanguage manual
Multipack	10pcs
Multipack dimensions (cm)	40x25x14,4

ACCESSORIES

code	item	description	qty
584500002	M2 ADAPTER FOR 25MM DIA. FUEL NOZZLE	M2 Adapter for nozzle $\varnothing 25$ mm.	
050920001	REPLACEMENT FUEL CAP 105 BAYONET	Locking Cap for 105 bayonet mounts.	
051001122	Antireflux valve extraction tool for Scania tanks	Tool needed to extract the valve which is lodged in the tank neck before fitting anti siphon device to tank	

SPARE PARTS

code	item	description	qty
050707014	GASKET SCANIA 80 & 85 MODEL KOCKONS	Mounting seal Scania/85	