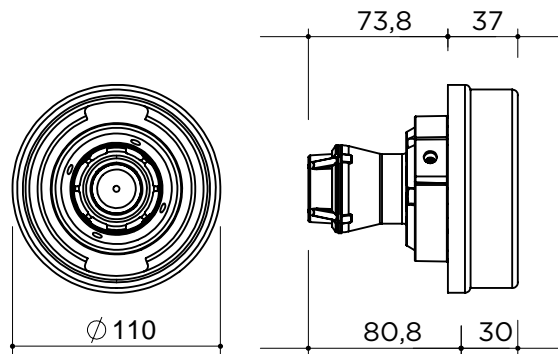


KOCKON CL2 105 XL

Fuel anti-theft device KOCKON CL2 105 XL, featuring extra short, swing action barrel for extra low profile applications, quick mounting system. For tanks necks having 2-points internal bayonet fitting 105mm.

-DAF: all models -MAN: all models -VOLVO: all models -MERCEDES: all models -RENAULT: Premium, Magnum, Midlum with metal tank neck -IVECO: Stralis, EuroStar, EuroTec, Trakker, EuroTrakker -DOOSAN: all models with metal tank neck -LIEBHERR: all models with metal tank neck



CODE	DESCRIPTION
580431001	KOCKON CL2 105 XL

TECHNICAL DATA

SPECIFICATIONS

Main body material	Aluminium and Steel
Gasket material	HNBR, suitable for immersion in the fuel
Finishing	Black Anodized/Black Cataphoresis, painted
Weight	780
Fuel Flow Rate (lt/min)	120

PACKAGING

Assembly	The product is supplied ready to use
Package type	Carton box
Package dimensions (cm)	12,8x12x12
Package contents	Anti theft device, multilanguage manual
Multipack	10pcs
Multipack dimensions (cm)	40x25x14,4

ACCESSORIES

code	item	description	qty
584500002	M2 ADAPTER FOR 25MM DIA. FUEL NOZZLE	M2 Adapter for nozzle Ø 25 mm.	
050920001	REPLACEMENT FUEL CAP 105 BAYONET	Locking Cap for 105 bayonet mounts.	

SPARE PARTS

code	item	description	qty
050707011	GASKET KOCKON 105 UNIVERSAL	Mounting seal 105	