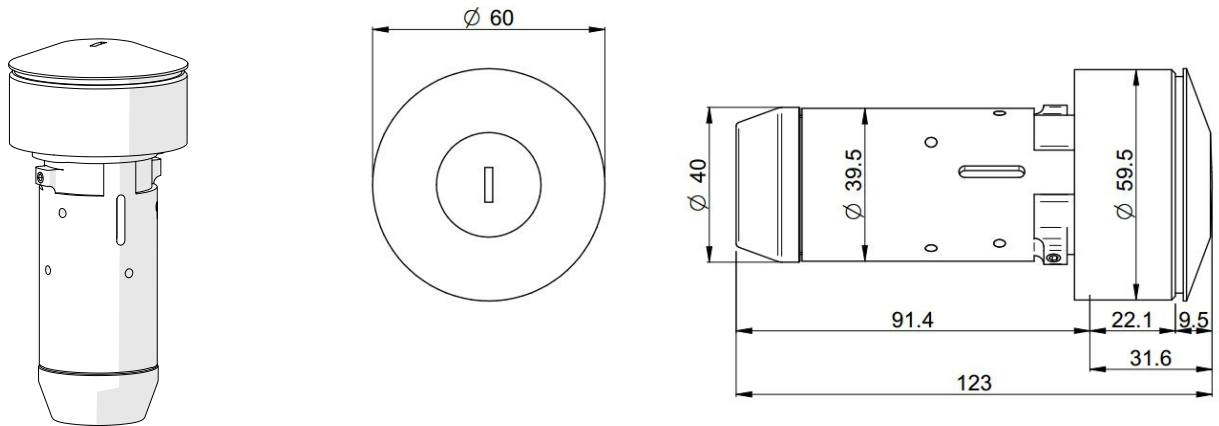


**KOCKON VX DAILY 2014**

**Kockon Mach II for vans / commercial vehicles.**

IVECO: DAILY, all models from 2014 onwards.



CODE	DESCRIPTION
824513013	KOCKON VX DAILY 2014

**TECHNICAL DATA**

**SPECIFICATIONS**

Main body material	Aluminium
Cage/float/filter material	Acetalic resin and Polyethylene LD, suitable for immersion in the fuel
Gasket material	HNBR, suitable for immersion in the fuel
Finishing	Black Anodized
Weight	352 g
Fuel Flow Rate (lt/min)	60

**PACKAGING**

Assembly	The product is supplied ready to use
Package type	Carton box
Package dimensions (cm)	7x8x15
Package contents	Anti theft device, lid, multilanguage manual
Multipack	10 pcs in master carton box
Multipack dimensions (cm)	

**ACCESSORIES**

code	item	description	qty
054501012	GENESIS UNIVERSAL MOUNTING TOOL	Tool to assist installation of Kockon products	