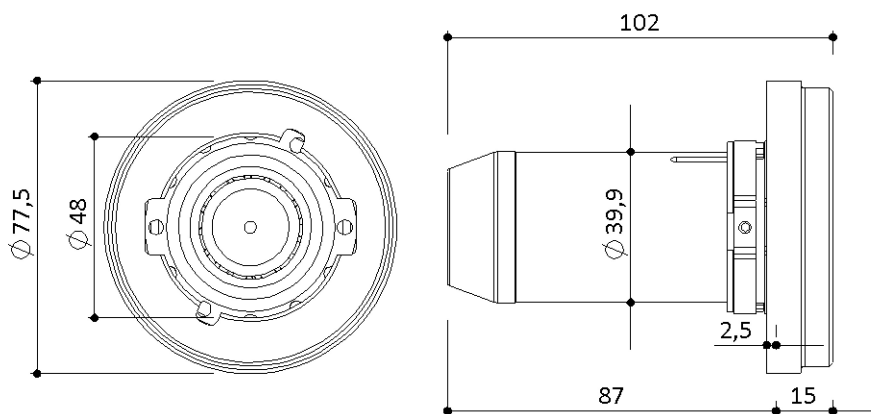


824513012 - KOCKON VX CABSTAR/MAXCITY

Kockon Mach II for vans / commercial vehicles.

NISSAN: CABSTARRENAULT: MAX CITY



TECHNICAL DATA

Main Body Material	Aluminium
Cage/Float/Filter Material	Acetalic resin and Polyethylene LD, suitable for immersion in the fuel
Gasket material	HNBR, suitable for immersion in the fuel
Finishing	Anodized
Weight	244 g
Fuel Flow Rate (lt/min)	120
Assembly	The product is supplied ready to use
Package type	Carton box
Package dimensions (cm)	10x10x12,5
Package contents	Anti theft device, adapter
Multipack	10 pcs in master carton box

ACCESSORIES

code	item	description
054501012	CHIAVE UNIVERSALE INSTALLAZIONE GENESIS	Tool to assist installation of Kockon products

SPARE PARTS

code	item	description
584500002	ADATTATORE UGELLO MACH 2 PISTOLA Ø25 MM	