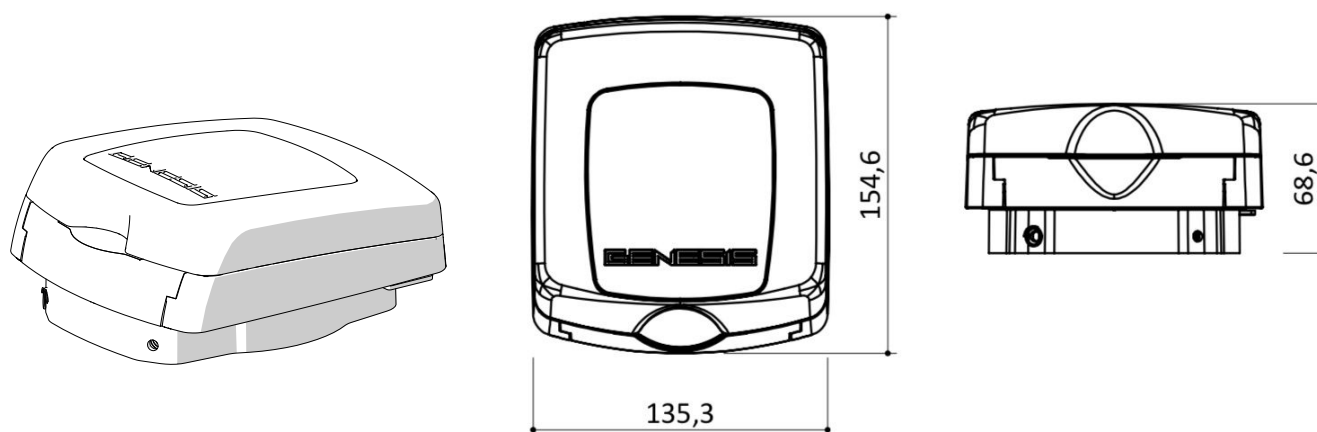


ZIPPER WIRELESS UPGRADE KIT

Upgrade kit for Kockon Mach II base modules. Consists of a self closing ventilated fuel cap without lock with a built in electronic activation switch and wireless transmitter which can be used to trigger events upon fuel cap opening. Includes its own receiver unit and buzzer which warns the vehicle cabin occupant of cap opening. Can be fitted through a rapid mounting procedure by the end user without having to remove the Kockon from its installed position. Must be purchased with one of the possible receiver unit options: 077351003 SMS ALERT UNIT FOR ZIPPER WIRELESS or 077351004 RECEIVER UNIT FOR ZIPPER WIRELESS

Fits all MACH II base modules. Upgrade can be executed without proprietary tools by the end user.



CODE	DESCRIPTION
786010029	ZIPPER WIRELESS UPGRADE KIT

TECHNICAL DATA

SPECIFICATIONS

Main body material	POM Acetalic Resin
Gasket material	NBR Rubber
Weight	770 g

PACKAGING

Package type	Carton box
Package dimensions (cm)	150x160x90
Package contents	1 pc in carton box
Multipack	12 pcs in master carton box
Multipack dimensions (cm)	390x260x330 mm

ACCESSORIES

code	item	description	qty
077351004	RECIEVER UNIT FOR ZIPPER WIRELESS	Used in conjunction with ZIPPER WIRELESS, this unit is installed in the cabin of the vehicle and receives the signal of the ZIPPER fuel cap via radio frequency, providing output to a buzzer and other devices which are in turn connected.	
077351003	SMS ALERT UNIT FOR ZIPPER WIRELESS	Used in conjunction with ZIPPER WIRELESS, this unit is installed in the cabin of the vehicle and receives the signal of the ZIPPER fuel cap via radio frequency, providing output to a buzzer and other devices which are in turn connected. This unit provides an SMS text message to a number programmed by the user whenever ZIPPER is opened. SIM Card NOT INCLUDED	