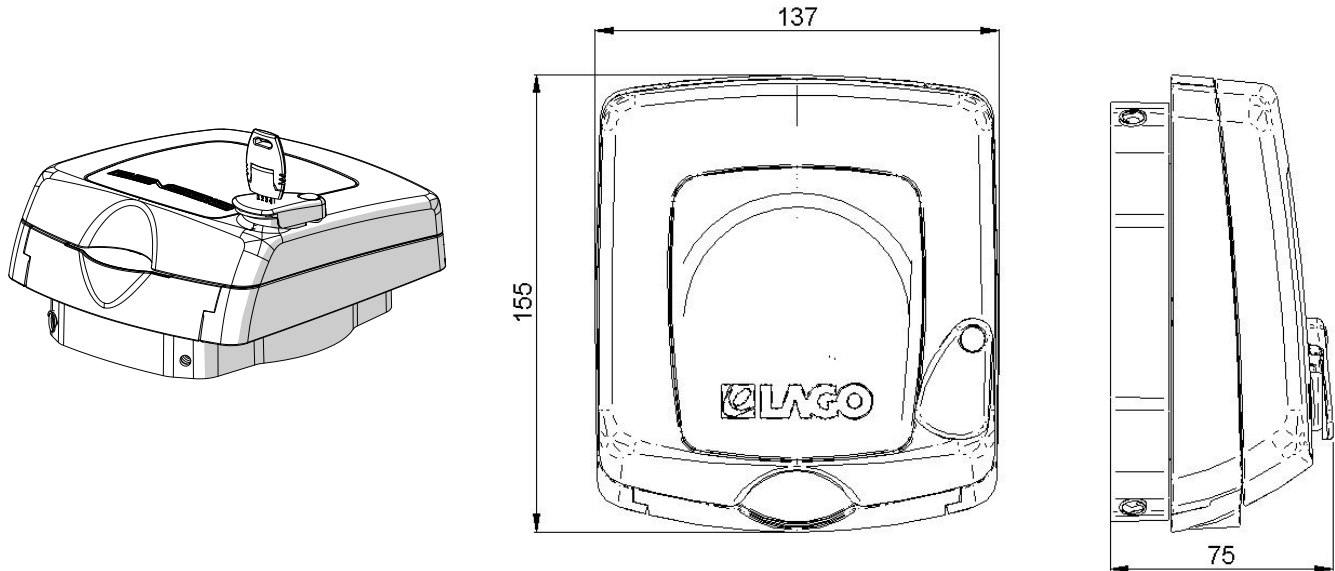


**ZIP LOCK SAFETY CAP UPGRADE KIT**

Upgrade kit for Kockon Mach II base modules. Consists of a self closing ventilated fuel cap with lock which can be fitted through a rapid mounting procedure by the end user without having to remove the Kockon from its installed position.

Fits all MACH II base module Kockons produced from 07/2015. Upgrade can be executed without proprietary tools by the end user.



| CODE      | DESCRIPTION                     |
|-----------|---------------------------------|
| 786010011 | ZIP LOCK SAFETY CAP UPGRADE KIT |

**TECHNICAL DATA**

**SPECIFICATIONS**

|                    |                    |
|--------------------|--------------------|
| Main body material | POM Acetalic Resin |
| Gasket material    | NBR Rubber         |
| Weight             | 590 g              |

**PACKAGING**

|                           |                             |
|---------------------------|-----------------------------|
| Package type              | Carton box                  |
| Package dimensions (cm)   | 150x160x90                  |
| Multipack                 | 12 pcs in master carton box |
| Multipack dimensions (cm) | 390x260x330 mm              |