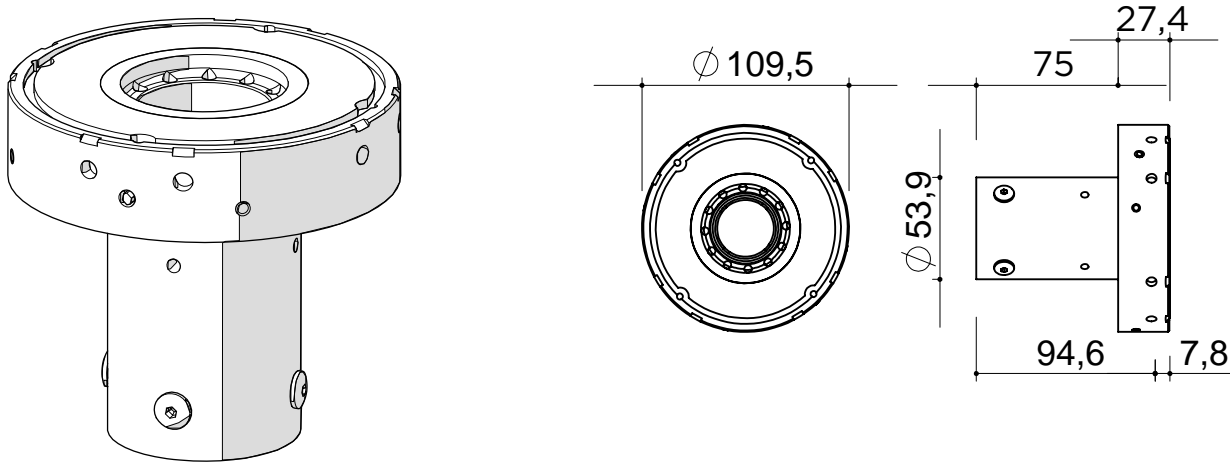


M2 BASE MODULE SB BE4P

Kockon Mach II SB (Short Barrel) sub assembly for neck mounting, ready to receive one of many different cap options as listed in accessories section of spec sheet. Also available with accessory to fit the vehicle's original die cast cap. **CANNOT BE USED AS STANDALONE UNIT.**

For tank necks with 4 point external bayonet fitting: -FREIGHTLINER



| CODE | DESCRIPTION |
|-----------|------------------------|
| 774525001 | M2 BASE MODULE SB BE4P |

TECHNICAL DATA

SPECIFICATIONS

| | |
|----------------------------|--|
| Main body material | Aluminium |
| Cage/float/filter material | Acetalic resin and Polyethylene LD, suitable for immersion in the fuel |
| Gasket material | NBR rubber |
| Finishing | Black Anodized |
| Weight | 700 g |
| Fuel Flow Rate (lt/min) | 120 |

PACKAGING

| | |
|---------------------------|--|
| Package type | Carton box |
| Package dimensions (cm) | 12x16x12 |
| Package contents | Anti theft device, adapter, multilanguage manual |
| Multipack | 10 pcs in master carton box |
| Multipack dimensions (cm) | 39x26x33 |

ACCESSORIES

| code | item | description | qty |
|-----------|--|---|-----|
| 786015100 | PL-CAP KIT FOR M2 BASE MODULE | Upgrade Kit which fits on Kockon Mach II base module. The kit is composed of an acetalic resin cap mounting ring which fixes using 4 screws (supplied with kit) and an o-ring which seats the cap mounting ring onto the upper plate of the Kockon. Includes a low profile locking cap with 105 type 2 point bayonet mount and bunjee chain allowing cap to dangle when open. | |
| 786015101 | XXL-CAP KIT W/LOCK FOR M2 XL BASE MODULE | Upgrade Kit which fits on Kockon Mach II base module. The kit is composed of a extra-extra low thermoplastic cap mounting ring which fixes using 4 screws (supplied with kit) and a dedicated gasket which seats the cap mounting ring onto the upper plate of the Kockon. Includes a low profile locking cap with automotive type 2 point bayonet mount and locking key. | |

M2 BASE MODULE SB BE4P

ACCESSORIES

| code | item | description | qty |
|-----------|-----------------------------------|--|-----|
| 786015102 | XXL-CAP KIT FOR M2 XL BASE MODULE | Upgrade Kit which fits on Kockon Mach II base module. The kit is composed of a extra-extra low thermoplastic cap mounting ring which fixes using 4 screws (supplied with kit) and a dedicated gasket which seats the cap mounting ring onto the upper plate of the Kockon. Includes a low profile locking cap with automotive type 2 point bayonet mount, without lock. | |
| 784515101 | UNI-CAP KIT FOR M2 BASE MODULE | Upgrade kit for Kockon Mach II base modules. Consists of an aluminium high profile cap mounting ring and o ring seal for seating onto the upper plate of the Kockon base module. Made to allow use of the majority of original vehicle fuel caps which would normally not fit on Mach II Kockons due to their height. | |
| 784516200 | BE4P KIT FOR M2 BASE MODULE | Upgrade Kit which fits on Kockon Mach II base module. The kit is composed of an aluminium 4 point bayonet cap mounting ring which fixes using 4 screws (supplied with kit) and an o-ring which seats the cap mounting ring onto the upper plate of the Kockon. It allows use of the original die cast bayonet cap. | |
| 786010010 | ZIP SAFETY CAP UPGRADE KIT | Upgrade kit for Kockon Mach II base modules. Consists of a self closing ventilated fuel cap without lock which can be fitted through a rapid mounting procedure by the end user without having to remove the Kockon from its installed position. | |
| 786010011 | ZIP LOCK SAFETY CAP UPGRADE KIT | Upgrade kit for Kockon Mach II base modules. Consists of a self closing ventilated fuel cap with lock which can be fitted through a rapid mounting procedure by the end user without having to remove the Kockon from its installed position. | |
| 786010019 | ZIPPER WIRED UPGRADE KIT | Upgrade kit for Kockon Mach II base modules. Consists of a self closing ventilated fuel cap with a built in electronic activation switch and wire connection which can be used to trigger events upon fuel cap opening. Can be fitted through a rapid mounting procedure by the end user without having to remove the Kockon from its installed position. | |
| 786010020 | ZIPPER LOCK WIRED UPGRADE KIT | Upgrade kit for Kockon Mach II base modules. Consists of a self closing ventilated fuel cap with lock with a built in electronic activation switch and wire connection which can be used to trigger events upon fuel cap opening. Can be fitted through a rapid mounting procedure by the end user without having to remove the Kockon from its installed position. | |
| 786010029 | ZIPPER WIRELESS UPGRADE KIT | Upgrade kit for Kockon Mach II base modules. Consists of a self closing ventilated fuel cap without lock with a built in electronic activation switch and wireless transmitter which can be used to trigger events upon fuel cap opening. Includes its own receiver unit and buzzer which warns the vehicle cabin occupant of cap opening. Can be fitted through a rapid mounting procedure by the end user without having to remove the Kockon from its installed position. Must be purchased with one of the possible receiver unit options: 077351003 SMS ALERT UNIT FOR ZIPPER WIRELESS or 077351004 RECEIVER UNIT FOR ZIPPER WIRELESS | |
| 786010030 | ZIPPER LOCK WIRELESS UPGRADE KIT | Upgrade kit for Kockon Mach II base modules. Consists of a self closing ventilated fuel cap with lock with a built in electronic activation switch and wireless transmitter which can be used to trigger events upon fuel cap opening. Includes its own receiver unit and buzzer which warns the vehicle cabin occupant of cap opening. Can be fitted through a rapid mounting procedure by the end user without having to remove the Kockon from its installed position. Must be purchased with one of the possible receiver unit options: 077351003 SMS ALERT UNIT FOR ZIPPER WIRELESS 077351004 RECEIVER UNIT FOR ZIPPER WIRELESS | |
| 054501012 | GENESIS UNIVERSAL MOUNTING TOOL | Tool to assist installation of Kockon products | |
| 061020001 | Fuel Pistol with 32mm nozzle | Manufactured by ZVA with 120 Lt/min flow capacity | |

SPARE PARTS

| code | item | description | qty |
|-----------|--------------------------------------|--------------------------------|-----|
| 050707014 | GASKET SCANIA 80 & 85 MODEL KOCKONS | Mounting seal Scania/85 | |
| 584500002 | M2 ADAPTER FOR 25MM DIA. FUEL NOZZLE | M2 Adapter for nozzle Ø 25 mm. | |