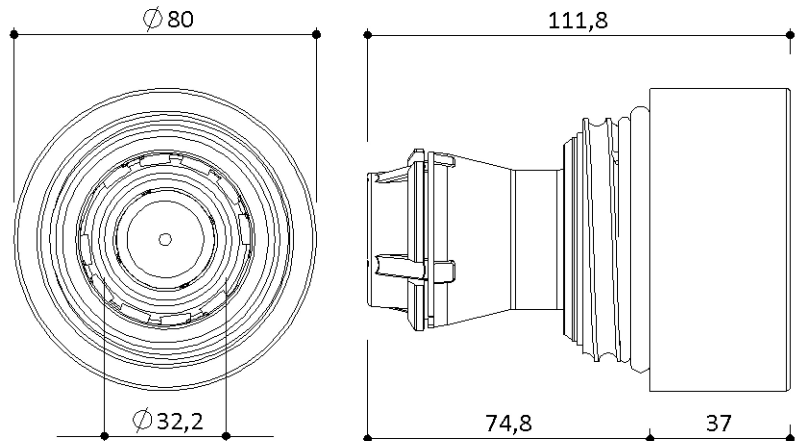


581736001 - KOCKON CL2 80 XL

Fuel antitheft device for tank necks with inner threaded tank opening \varnothing 80 mm - with featuring extra short, swing action barrel for extra low profile applications

Recommended applications: -SCANIA: all models -IVECO: Eurocargo having metal tank neck -JOHN DEERE: 5000-6000 -MASSEY FERGUSON: 4292 hd



TECHNICAL DATA

Main Body Material	Aluminium and Steel
General Specifications	Compatible with originale vehicle cap.
Gasket material	HNBR, suitable for immersion in the fuel
Finishing	Black Anodized/Cataphoresis, painted
Weight	0,80 kg
Fuel Flow Rate (lt/min)	120
Assembly	The product is supplied ready to use
Package type	Carton box
Package dimensions (cm)	12,8x12x12
Package contents	Anti theft device, lid, adapter, multilanguage manual
Multipack	6 pcs
Multipack dimensions (cm)	40x25x14,4

ACCESSORIES

code	item	description
050920001	TAPPO RICAMBIO 105 BAIONETTA (TAPPO KOCK105 C/CHIAVE VENT.)	
051001122	CHIAVE DI SGANCIO PIATTELLO SCANIA	Tool needed to extract the valve which is lodged in the tank neck before fitting anti siphon device to tank
584500002	ADATTATORE UGELLO MACH 2 PISTOLA \varnothing 25 MM	

SPARE PARTS

code	item	description
050707014	GUAR KOCKON SCANIA 80/85 ALT NIT AR 70S NBR ALTO NITRILE ARANCIO 65-70Sh	Mounting seal Scania/85