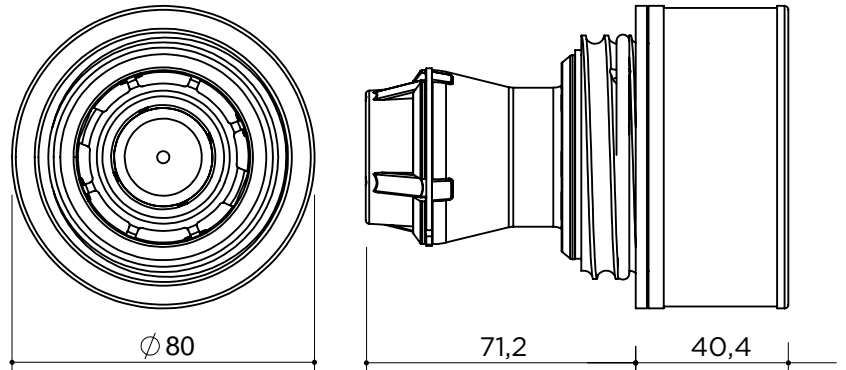


# KOCKON CL2 80 XL

Anti-siphon device featuring extra short, swing action barrel for extra low profile applications, quick mounting system. Compatible with original cap for internally threaded 80mm tank necks.

For tanks with inner threaded opening ø80 mm. -SCANIA: all models -IVECO: Eurocargo having metal tank neck -JOHN DEERE: 5000-6000 -MASSEY FERGUSON: 4292 hd



| CODE      | DESCRIPTION      |
|-----------|------------------|
| 581736001 | KOCKON CL2 80 XL |

## TECHNICAL DATA

### SPECIFICATIONS

|                         |  |
|-------------------------|--|
| Main body material      | Aluminium and Steel                      |
| Gasket material         | HNBR, suitable for immersion in the fuel |
| Finishing               | Black Anodized/Cataphoresis, painted     |
| Weight                  | 0,80 kg                                  |
| Fuel Flow Rate (lt/min) | 120                                      |

### PACKAGING

|                           |   |
|---------------------------|---|
| Assembly                  | The product is supplied ready to use                  |
| Package type              | Carton box  |
| Package dimensions (cm)   | 12,8x12x12  |
| Package contents          | Anti theft device, lid, adapter, multilanguage manual |
| Multipack                 | 6 pcs   |
| Multipack dimensions (cm) | 40x25x14,4  |

## ACCESSORIES

| code      | item  | description   | qty |
|-----------|---|---|-----|
| 584500002 | M2 ADAPTER FOR 25MM DIA. FUEL NOZZLE              | M2 Adapter for nozzle ø 25 mm.  |     |
| 050920002 | Lid for KOCKÒN 80 type Scania - with locking key  | Lid for KOCKÒN 80 type Scania - with locking key  |     |
| 050920003 |   | Low profile lid for KOCKÒN 80 type Scania - with locking key  |     |
| 051001122 | Antireflux valve extraction tool for Scania tanks | Tool needed to extract the valve which is lodged in the tank neck before fitting anti siphon device to tank |     |

## SPARE PARTS

| code      | item                                | description             | qty |
|-----------|-------------------------------------|-------------------------|-----|
| 050707014 | GASKET SCANIA 80 & 85 MODEL KOCKONS | Mounting seal Scania/85 |     |