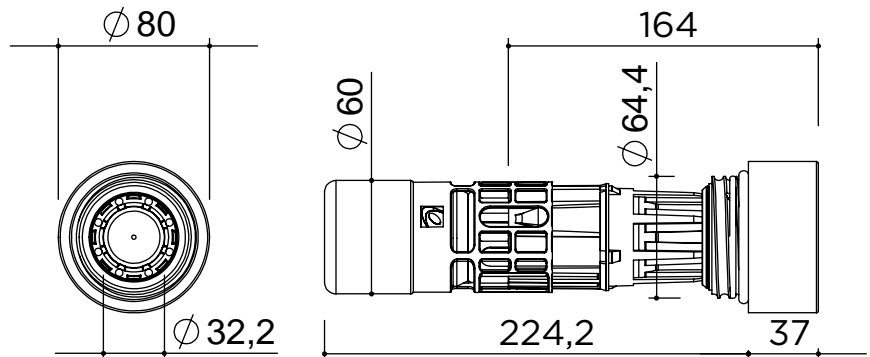


KOCKON CL2 APEX 80

Fuel antitheft device KOCKON CL2 APEX 80

For tank necks with inner threaded tank opening \varnothing 80 mm. -SCANIA: all models -IVECO: Eurocargo having metal tank neck -JOHN DEERE: 5000-6000 -MASSEY FERGUSON: 4292 hd



CODE	DESCRIPTION
581716001	KOCKON CL2 APEX 80

TECHNICAL DATA

SPECIFICATIONS

Main body material	20/10 Steel S235JR, Zink Magnesium Alloy
Cage/float/filter material	Acetalic resin and Polyethylene LD, suitable for immersion in the fuel
Gasket material	HNBR, suitable for immersion in the fuel
Finishing	Cataphoresis coated + black epoxy powder coated
Weight	1,10 kg
Fuel Flow Rate (lt/min)	120
diam. Foro pistola mm	32mm
Assembly	The product is supplied ready to use
Package type	Carton box
Package dimensions (cm)	12,5x12,5x29,5 cm
Package contents	Anti-theft device, adapte
Multipack	6 pcs in master carton box
Multipack dimensions (cm)	39,0x26,0x33,0 cm

ACCESSORIES

code	item	description	qty
050920002	Lid for KOCKÒN 80 type Scania - with locking key	Lid for KOCKÒN 80 type Scania - with locking key	
051001076	CONVENTIONAL FILTER WRENCH	KOCKÒN mounting wrench	
050707014	GASKET SCANIA 80 & 85 MODEL KOCKONS	Mounting seal Scania/85	

SPARE PARTS

code	item	description	qty
050920002	Lid for KOCKÒN 80 type Scania - with locking key	Lid for KOCKÒN 80 type Scania - with locking key	
051001076	CONVENTIONAL FILTER WRENCH	KOCKÒN mounting wrench	
050707014	GASKET SCANIA 80 & 85 MODEL KOCKONS	Mounting seal Scania/85	