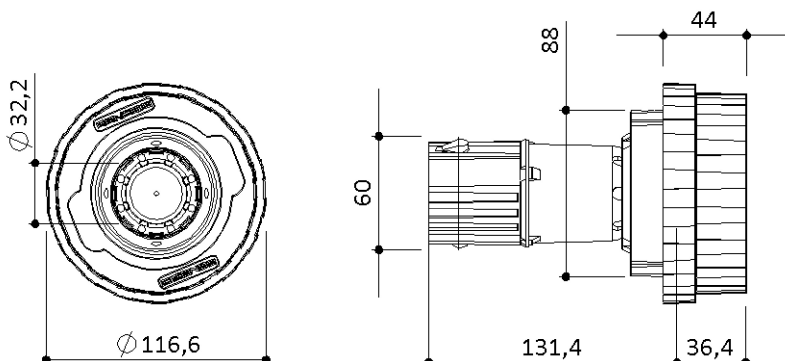


Fuel antitheft device for tanks necks having 2-points internal bayonet fitting 105 mm -

Recommended applications: -DAF: all models -MAN: all models -VOLVO: all models -MERCEDES: all models -RENAULT: Premium, Magnum, Midlum with metal tank neck -IVECO: Stralis, EuroStar, EuroTec, Trakker, EuroTrakker -DOOSAN: all models with metal tank neck -LIEBHERR: all models with metal tank neck



TECHNICAL DATA

Main Body Material	ZAMAX ZL5 (ZnAl4Cu1) and Acetalic Resin
Cage/Float/Filter Material	Acetalic resin and Polyethylene LD, suitable for immersion in the fuel
Gasket material	HNBR, suitable for immersion in the fuel
Finishing	Cataphoresis coated + black epoxy powder coated
Weight	920 g
Fuel Flow Rate (lt/min)	120
Patents	EP2165873A1; EP2165873A1
Assembly	The product is supplied ready to use
Package type	Carton box
Package dimensions (cm)	12,5x12,5x16,5
Package contents	Anti-theft device, adapter, multilanguage manual
Multipack	10 pcs in master carton box
Multipack dimensions (cm)	39,0x26,0x33,0

ACCESSORIES

code	item	description
050920001	TAPPO RICAMBIO 105 BAIONETTA (TAPPO KOCK105 C/CHIAVE VENT.)	
054501012	CHIAVE UNIVERSALE INSTALLAZIONE GENESIS	Tool to assist installation of Kockon products
584500001	ADATTATORE UGELLO PISTOLA Ø 25 MM	Adapter for nozzle Ø 25 mm

SPARE PARTS

code	item	description
050707011	GUAR KOCKON 105 ALTO NITR ARAN 70SH NBR	Mounting seal 105
050707028	GUAR INGR KOCKON 105 D61 ALT NIT 70SH ARNBR ALTO NITRILE ARANCIO 65-70Sh	Insertion gasket for KOCKON 105
050920001	TAPPO RICAMBIO 105 BAIONETTA (TAPPO KOCK105 C/CHIAVE VENT.)	
584500001	ADATTATORE UGELLO PISTOLA Ø 25 MM	Adapter for nozzle Ø 25 mm