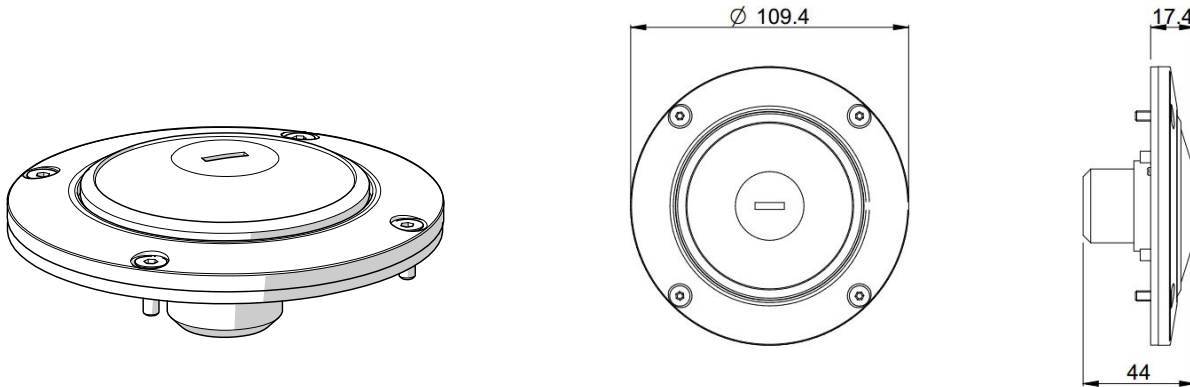


XXL-CAP KIT W/LOCK FOR M2 XL BASE MODULE

Upgrade Kit which fits on Kockon Mach II base module. The kit is composed of a extra-extra low thermoplastic cap mounting ring which fixes using 4 screws (supplied with kit) and a dedicated gasket which seats the cap mounting ring onto the upper plate of the Kockon. Includes a low profile locking cap with automotive type 2 point bayonet mount and locking key.

Fits all MACH II base modules. Upgrade can be executed without proprietary tools by the end user.



CODE	DESCRIPTION
786015101	XXL-CAP KIT W/LOCK FOR M2 XL BASE MODULE

TECHNICAL DATA
SPECIFICATIONS

Main body material	POM Acetalic Resin
Cage/float/filter material	Acetalic resin and Polyethylene LD, suitable for immersion in the fuel
Gasket material	NBR Rubber
Weight	

PACKAGING

Package type	Carton Box
Package dimensions (cm)	17,5x16,2x6,5
Package contents	Fuel cap, screws, seal and instructions
Multipack	4 boxes per multipack
Multipack dimensions (cm)	70,5x16,5x7